

Strainers

In-line - BSCCQ

Feature

- Bevel seat, I-line, and weld ends available, call Dixon Sanitary at 800.789.1718 for information

Approval

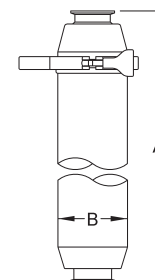
- Must be vertically mounted to be 3A compliant

Short

Size	Dimensions (in)		316L Stainless Steel 1/4" Perforations Part #	316L Stainless Steel 1/8" Perforations Part #
	A	B		
1"	15.75	4.00	BSCCQ1-R100	BSCCQ1-R10018
1-1/2"	15.75	4.00	BSCCQ1-R150	BSCCQ1-R15018
2"	15.75	4.00	BSCCQ1-R200	BSCCQ1-R20018
2-1/2"	15.75	4.50	BSCCS1-R250	BSCCQ1-R25018
3"	15.75	4.50	BSCCS1-R300	BSCCQ1-R30018



short



Long

Size	Dimensions (in)		316L Stainless Steel 1/4" Perforations Part #	316L Stainless Steel 1/8" Perforations Part #
	A	B		
1-1/2"	35.375	4.00	BSCCQ2-R150	BSCCQ2-R15018
2"	35.375	4.00	BSCCQ2-R200	BSCCQ2-R20018
3"	35.375	4.50	BSCCS2-R300	BSCCQ2-R30018

Side-Entry - BSCCQ

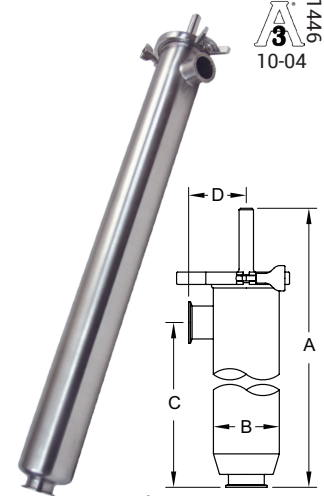
Features

- Can be serviced in-line
- Bevel seat, I-line, and weld ends available; call Dixon Sanitary at 800.789.1718 for information

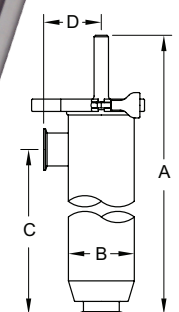
Approval

- Must be vertically mounted to be 3A compliant

Size	Dimensions (in)				316L Stainless Steel 1/4" Perforations Part #	316L Stainless Steel 1/8" Perforations Part #
	A	B	C	D		
1-1/2"	41.90	4.00	35.00	3.50	BSCCQ3-R150	BSCCQ3-R15018
2"	41.90	4.00	35.00	3.50	BSCCQ3-R200	BSCCQ3-R20018
3"	41.90	4.50	35.00	3.75	BSCCQ3-R300	BSCCQ3-R30018



long



M

Side-Outlet - BSCCQ

Features

- Bevel seat, I-line and weld ends available, call Dixon for information
- Can be serviced in-line

Approval

- Must be vertically mounted to be 3A compliant

Size	Dimensions (in)				316L Stainless Steel 1/4" Perforations Part #	316L Stainless Steel 1/8" Perforations Part #
	A	B	C	D		
1-1/2"	41.90	4.00	35.00	3.50	BSCCQ4-R150	BSCCQ4-R15018
2"	41.90	4.00	35.00	3.50	BSCCQ4-R200	BSCCQ4-R20018
3"	41.90	4.50	35.00	3.75	BSCCQ4-R300	BSCCQ4-R30018

