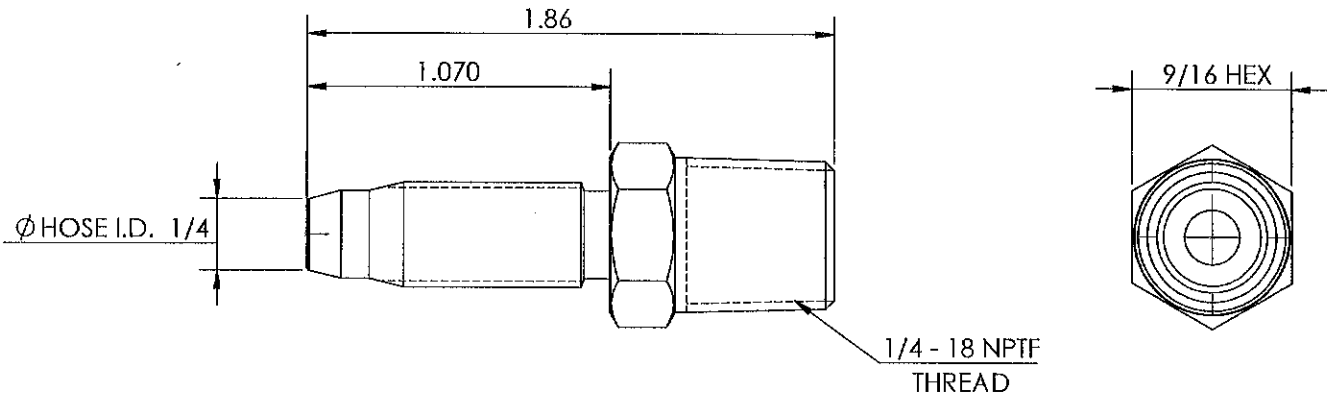
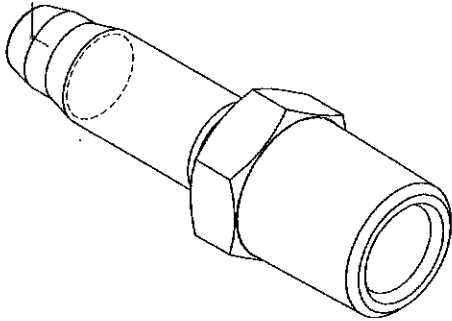
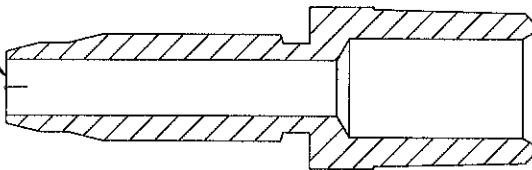



LINE DRAWING NOT FOR PRODUCTION PURPOSES

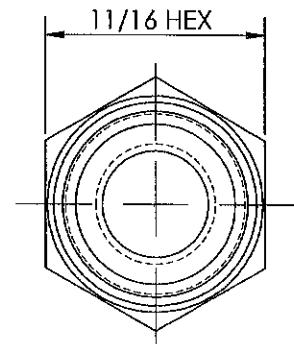
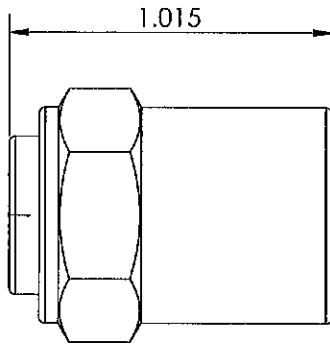


THRU HOLE DIA. .194

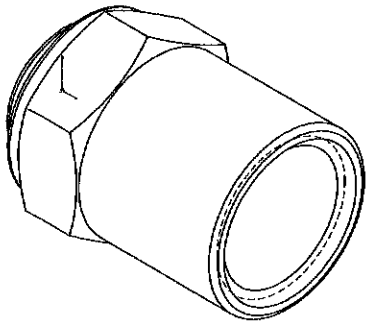
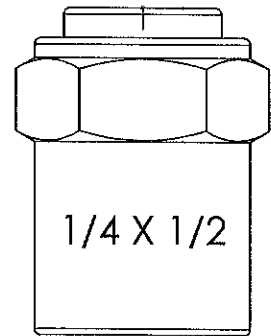
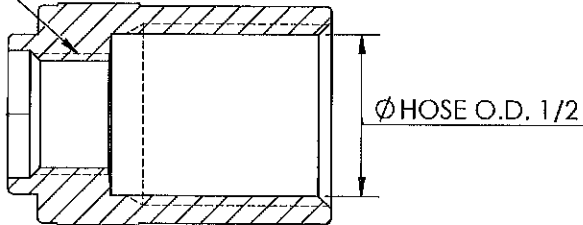



THIS DRAWING CONTAINS INFORMATION DEFINED PROPRIETARY TO DIXON BRASS AND IS SO TO BE USED ONLY FOR THE PURPOSE FOR WHICH IT IS SUBMITTED, AND FURTHER, SHALL NOT BE COPIED IN WHOLE OR IN PART WITHOUT EXPRESS WRITTEN PERMISSION FIRST OBTAINED FROM DIXON BRASS.			
UNLESS OTHERWISE SPECIFIED:			
DIMENSIONS ARE IN INCHES			
TOLERANCES:			
ANGLES: ±0°30'			
.X (±.015)			
.XX (±.010)			
.XXX (±.005)			
DIMENSIONS PER ANSI Y14.5			
 The Right Connection™	Dixon Brass Westmont, Illinois USA		DRAWN P. MONAGHAN APPROVED DATE 4/27/15
	TITLE: REUSABLE MALE STEM		ECO NO. DRAWING NOT REPRODUCED TO SCALE SIZE DWG. NO. REV A 1820404S E

LINE DRAWING NOT FOR PRODUCTION PURPOSES



3/8 - 24 UNF -2B
HOSE I.D. 1/4



THIS DRAWING CONTAINS INFORMATION DEEMED PROPRIETARY TO DIXON BRASS AND IS TO BE USED ONLY FOR THE PURPOSE FOR WHICH IT IS SUBMITTED, AND FURTHER, SHALL NOT BE COPIED IN WHOLE OR IN PART WITHOUT EXPRESS WRITTEN PERMISSION FIRST OBTAINED FROM DIXON BRASS.			
UNLESS OTHERWISE SPECIFIED:			
DIMENSIONS ARE IN INCHES			
TOLERANCES:			
ANGLES: ±0°30'			
.X (±.015)			
.XX (±.010)			
.XXX (±.005)			
DIMENSIONS PER ANSI Y14.5			
 The Right Connection™		Dixon Brass Westmont, Illinois USA	
		DRAWN P. MONAGHAN APPROVED	DATE 4/16/15 DATE
TITLE: REUSABLE FERRULE		DRAWING NOT REPRODUCED TO SCALE	
SIZE A	DWG. NO. 1800408F	REV B	ECO NO.