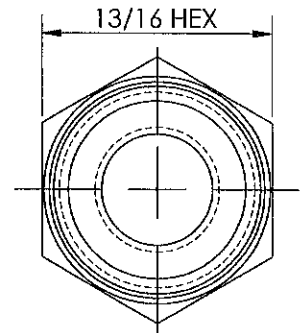
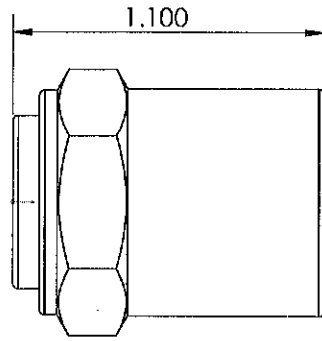
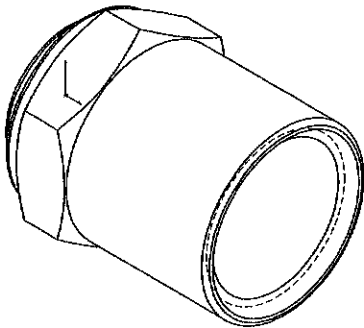
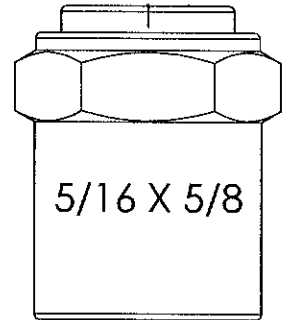
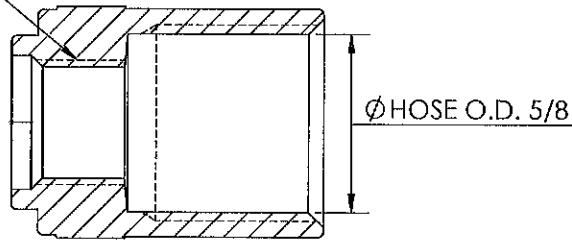



LINE DRAWING NOT FOR PRODUCTION PURPOSES

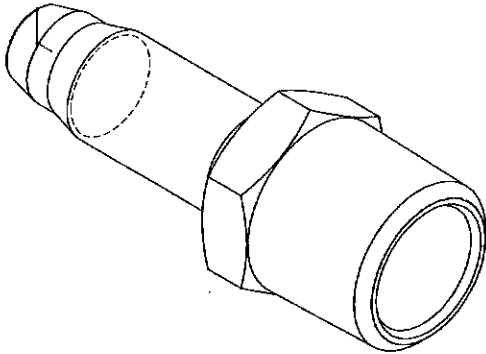
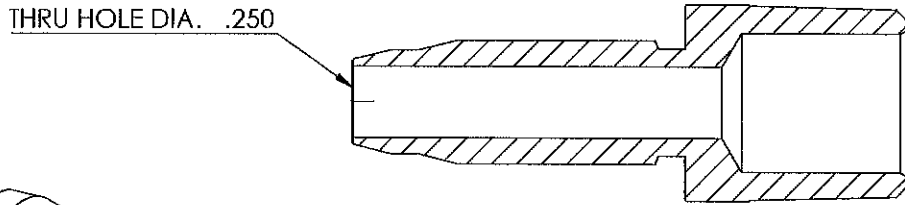
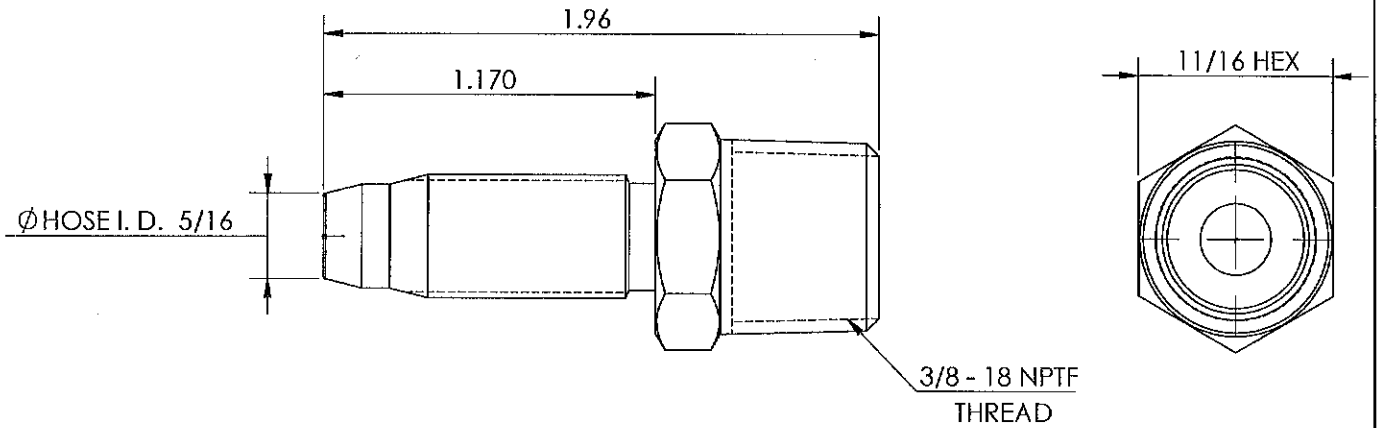



7/16 - 20 UNF2B
HOSE I.D. 5/16



THIS DRAWING CONTAINS INFORMATION DEEMED PROPRIETARY TO DIXON BRASS AND IS SO TO BE USED ONLY FOR THE PURPOSE FOR WHICH IT IS SUBMITTED, AND FURTHER, SHALL NOT BE COPIED IN WHOLE OR IN PART WITHOUT EXPRESS WRITTEN PERMISSION FIRST OBTAINED FROM DIXON BRASS.				
UNLESS OTHERWISE SPECIFIED:				
DIMENSIONS ARE IN INCHES		 Dixon Brass Westmont, Illinois USA	DRAWN P. MONAGHAN	DATE 4/17/15
TOLERANCES: ANGLES: ± 0°30' .X (±.015) .XX (±.010) .XXX (±.005)			APPROVED	DATE
DIMENSIONS PER ANSI Y14.5		TITLE: REUSABLE FERRULE	ECO NO.	DRAWING NOT REPRODUCED TO SCALE
SIZE A	DWG. NO. 1800510F	REV B		

LINE DRAWING NOT FOR PRODUCTION PURPOSES



THIS DRAWING CONTAINS INFORMATION DEEMED PROPRIETARY TO DIXON BRASS AND IS TO BE USED ONLY FOR THE PURPOSE FOR WHICH IT IS SUBMITTED, AND FURTHER, SHALL NOT BE COPIED IN WHOLE OR IN PART WITHOUT EXPRESS WRITTEN PERMISSION FIRST OBTAINED FROM DIXON BRASS.				
UNLESS OTHERWISE SPECIFIED:				
DIMENSIONS ARE IN INCHES		 Dixon Brass Westmont, Illinois USA	DRAWN P. MONAGHAN APPROVED	DATE 4/27/15 DATE
TOLERANCES: ANGLES: $\pm 0^{\circ}30'$.X (± 0.16) .XX (± 0.10) .XXX ($\pm .005$) DIMENSIONS PER ANSI Y14.5			TITLE: REUSABLE MALE STEM	ECO NO. DRAWING NOT REPRODUCED TO SCALE
SIZE	DWG. NO.			
A	1820506S			