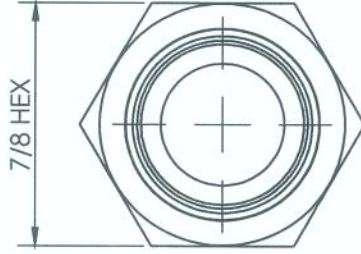
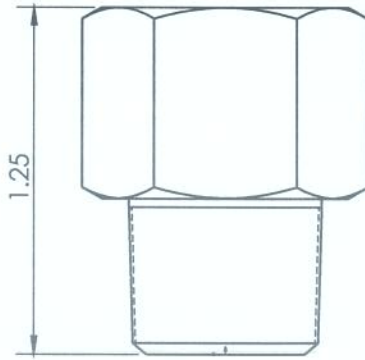
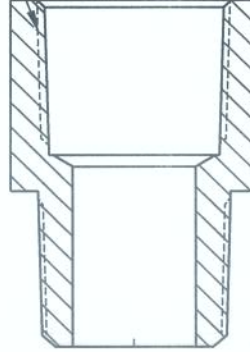


LINE DRAWING NOT FOR PRODUCTION PURPOSES



3/8 - 18 NPTF



MATERIAL 7/8 HEX ALLOY 360 BRASS

This drawing is owned by Dixon Valve & Coupling Co. and shall be returned upon demand. It is loaned on condition that it shall not be copied or reproduced or submitted to others without the owner's consent. In accepting it, subject to this condition, the recipient further agrees that this drawing or any design detail or information contained herein is to be used only for the purpose intended and that the recipient shall return it if the recipient does not agree to the terms of this agreement they shall return this drawing immediately. The information contained in this drawing is subject to change without notice.



Dixon Brass
Westmont, Illinois USA

DRAWN HENRY B. DATE 8/18/17
APPROVED DATE

ECO NO.

DO NOT SCALE THIS DRAWING
TITLE: 3/8 X 3/8 NPTF ADAPTER
SIZE DWG. NO. A 3750606C
REV A