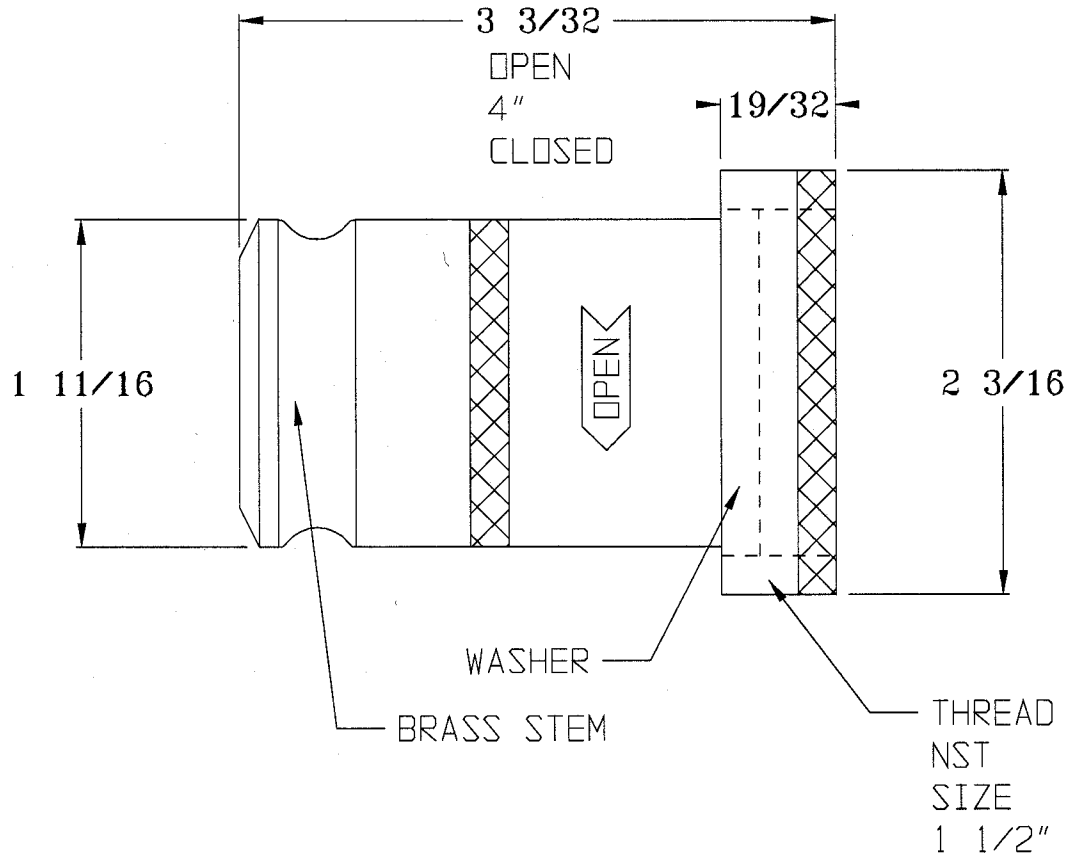


BRN150NST

CUSTOMER DWG



NOTES:

- 1) THREAD IDENTIFICATION NOT INDICATED.
- 2) NOT FOR ELECTRICAL FIRES.
- 3) FOR USE UP TO 100 PSI WATER ONLY.
- 4) WASHER REPLACEMENT #'s
WASHER NOZZLES

CUSTOMER DWG

AGREEMENT TO MAINTAIN CONFIDENTIALITY

This drawing is owned by Dixon Valve & Coupling Co. and shall be returned upon demand. It is loaned on condition that it shall not be copied or reproduced or submitted to others without the owners consent. In accepting it subject to this condition the recipient further agrees that this drawing or any design detail or concept disclosed herein shall not be used in any way detrimental to or in competition with the Owner. If the recipient does not agree to the terms of this agreement, they shall return this drawing immediately.



The Right Connection™

DIXON VALVE & COUPLING CO.
U. S. A.

TITLE
BRASS RACK NOZZLE
WITHOUT BUMPER

DRAWN BY:

CHECKED BY:

APPROVAL:

Diane C. 6/3/96

Amick
6/3/96

MAT'L

BRASS

BRN150NST