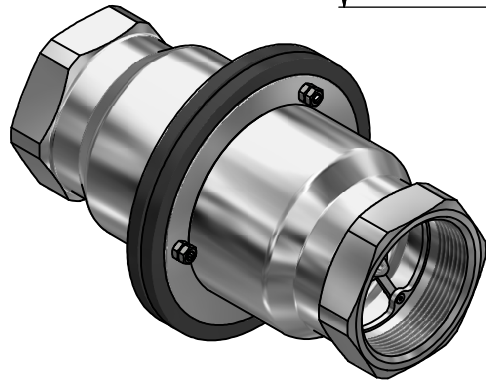
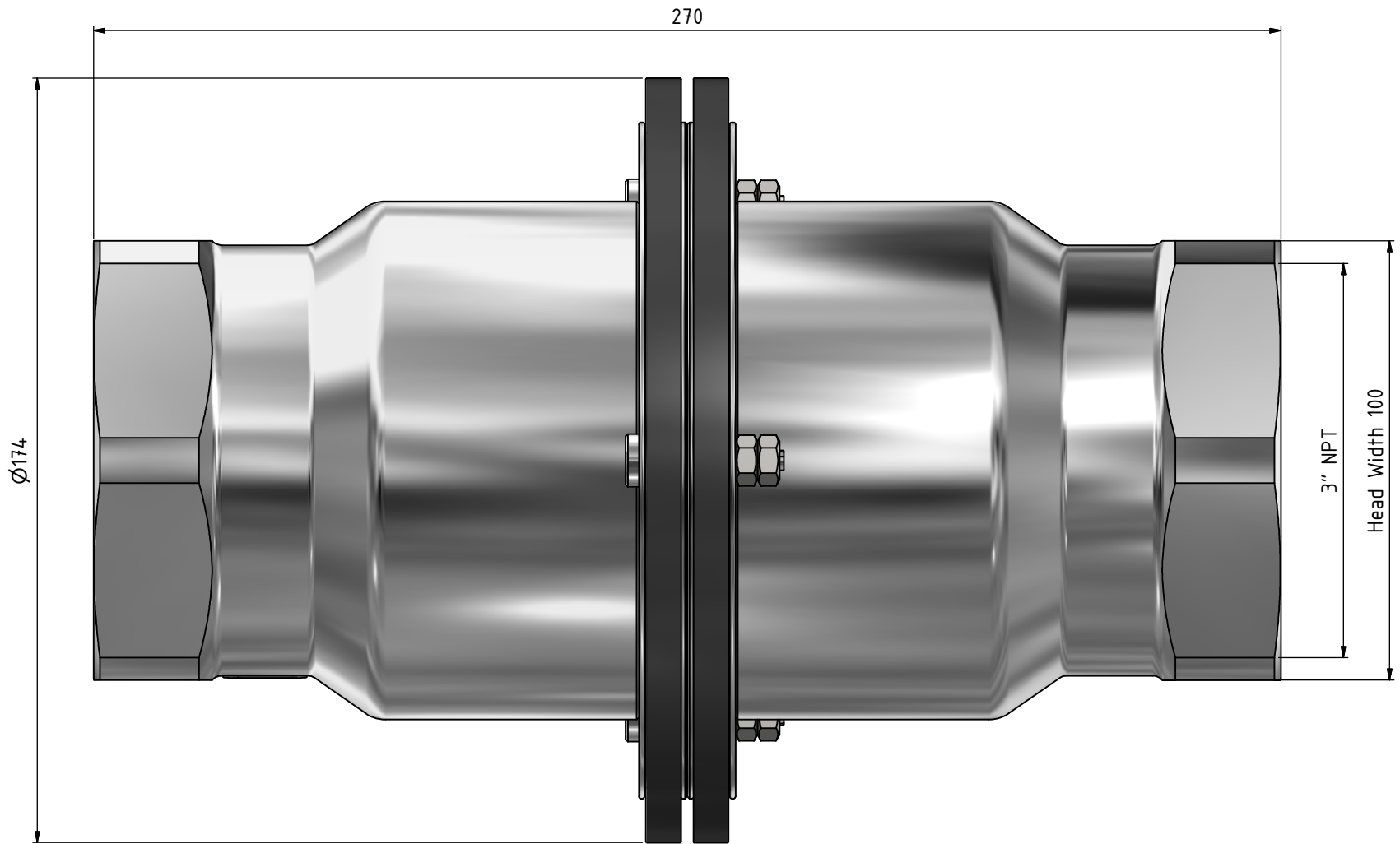



Notice: This drawing contains proprietary information and shall not be used or reproduced or its contents disclosed in whole or in part, without the prior written consent of the Mann Teknik AB



Dimensions are in metric.

~8,3 kg

NO.	Revision comprises	Date	Sign.	Appr by
-----	--------------------	------	-------	---------

Detail No:	Material	Ämne/Blank	Ytbeh./Treatment	Vikt/Weight
	Designed/drawn by P. Nyberg	Scale: 1:1	Dimension with no tolerances acc to Machined SS-ISO 2768-1 medium Weld Forge SS-ISO 2768-1 coarse Surface roughness ISO 1302 Form & position tol SS-ISO 2768-2-K	
	Checked G. Kopplin			
	Approved T. Mann			
Industrial Break Away 3" - CBC Thread 3" NPT female			Data nr./Comp No. NC4D_smst_pur	Blad/Sheet 1 / 1
			Drawing No.	Rev.
			NC415D44-1	