

INSTALLATION & OPERATING INSTRUCTIONS

BAYCO AIR INTERLOCK ELECTRICAL SWITCH

Model Numbers

5000S Air Interlock Electrical Switch Kit
5000AISW Air Interlock W/ Electrical Switch Attached

For Sales & Service Contact

Dixon Bayco

A DIXON COMPANY

U S A:

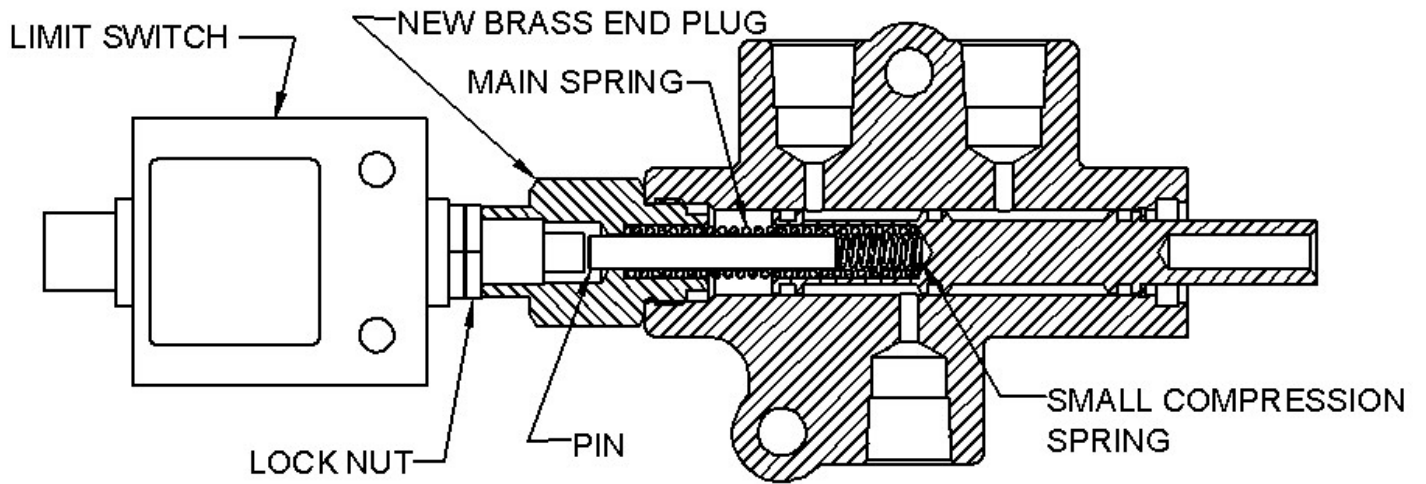
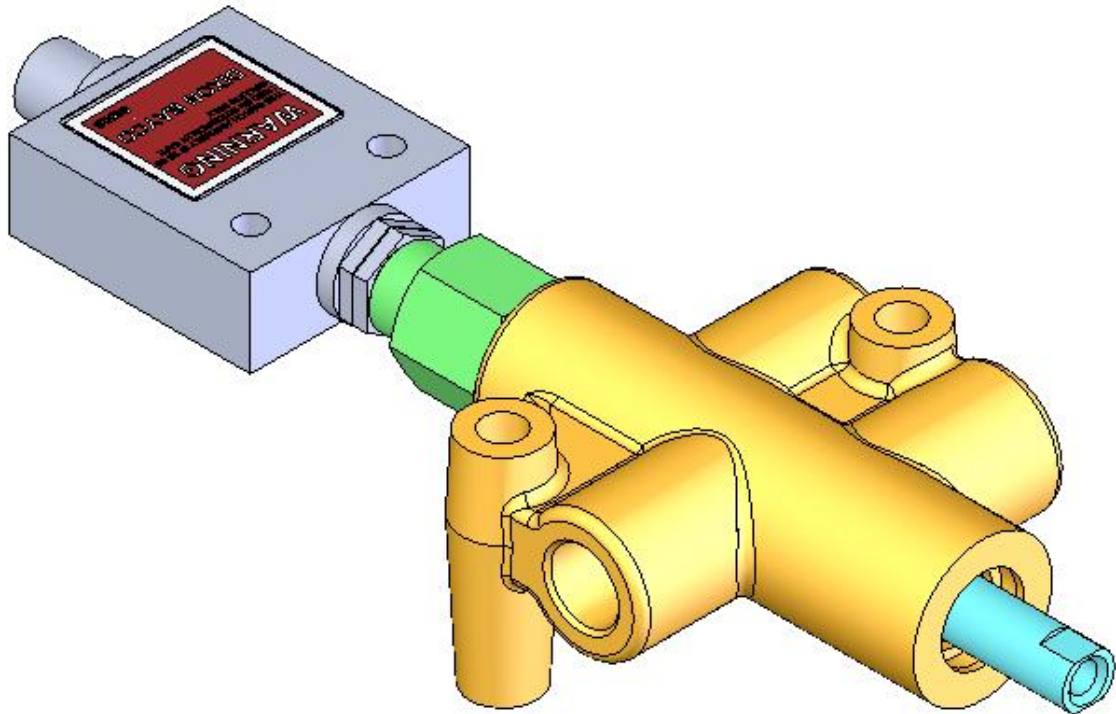
Dixon Bayco USA
Chestertown, Maryland
Phone: 410-778-2000
Fax: 410-778-4702
Toll Free: 800-355-1991

CANADA:

Dixon Bayco Limited
Barrie, Ontario
Phone: 705-436-1125
Fax: 705-436-6251
Toll Free: 866-436-1125



The Right Connection™



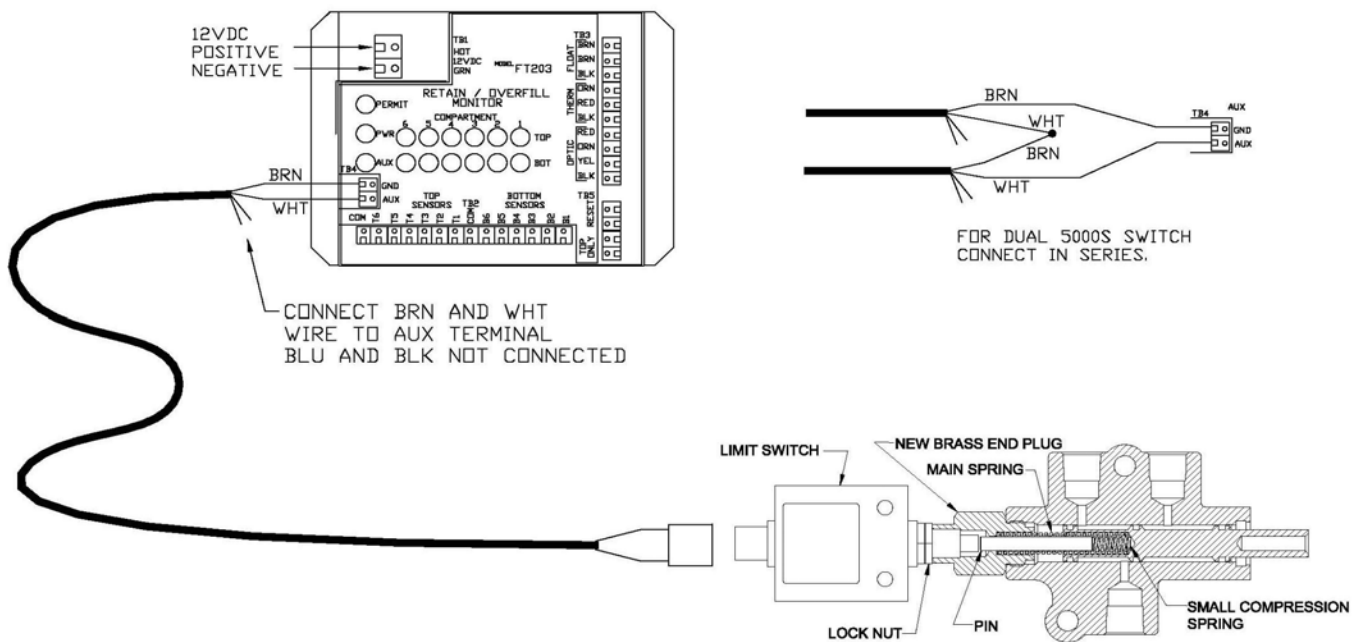
Tools required for installation and part replacement

14mm open end wrench
3/4" open end wrench

INSTALLATION

CAUTION! SAFETY GLASSES MUST BE WORN DURING INSTALLATION AND SERVICE.

CAUTION! BRASS END PLUG IS RESTRAINING A COMPRESSION SPRING. ENSURE THAT YOU HAVE A FIRM GRIP ON THE BRASS END PLUG BEFORE REMOVING



ASSEMBLY

1. Using the 3/4" open-end wrench, remove the brass end plug from the existing Dixon Bayco Air interlock valve. Hold the end plug firmly to prevent the spring from ejecting the plug from your hand.
2. Leave the main spring installed inside the plunger. You may discard the brass end plug.
3. Install the new brass end plug from the kit. This is accomplished by compressing the main spring while tightening the new end plug in place.
4. From the kit bag, place the small compression spring through the hole in the new brass end plug until it slides down the inside of the main spring.
5. From the kit bag, place the pin through the hole in the new brass end plug until it slides down the inside of the main spring.
6. Retrieve the limit switch from the kit bag. Insure that the two lock nuts are installed and are threaded against the body.
7. Install the limit switch into the new brass end plug as far as it will go. Do not over tighten.
8. You can back the limit switch off a maximum of 1/2 turn to orient the switch the way you like it.
9. Secure the switch by tightening one of the jam nuts (using the 14mm wrench) against the brass end plug.
10. Connect the wire cable to the limit switch by aligning the notch in the wire plug to the projection in the limit switch. Tighten the collar of the wire cable to secure it to the limit switch
11. Connect the brown and white wires of the cable to the AUX port of the on board monitor.
12. Cut off the blue and black wires

DIXON BAYCO WARRANTY

For Warranty Information, please refer to the inside back cover of the latest Dixon Catalogue.